

# Sanitana

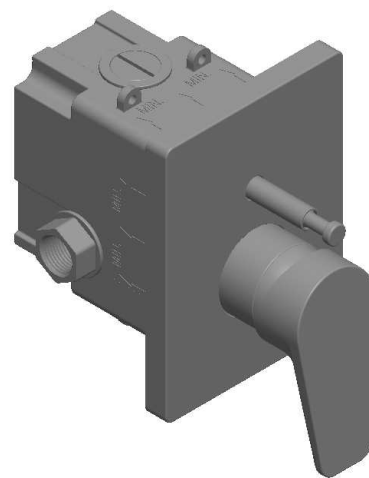
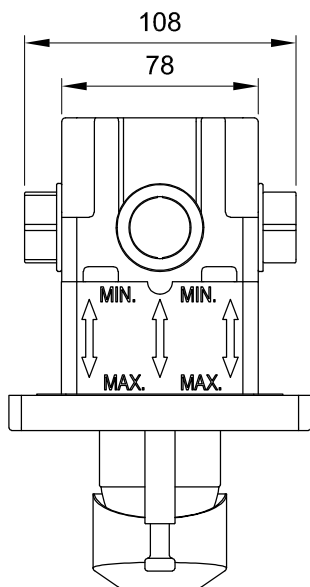
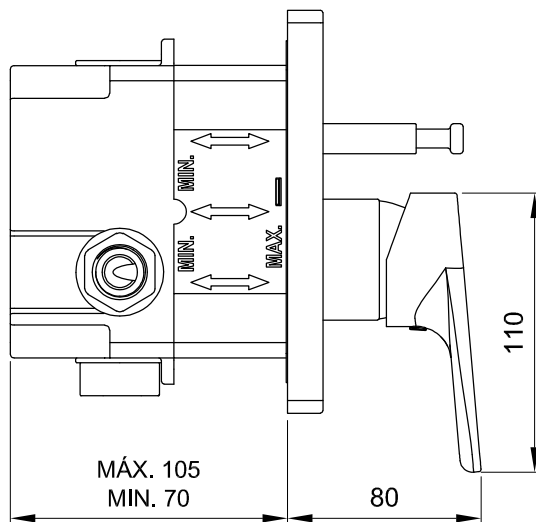
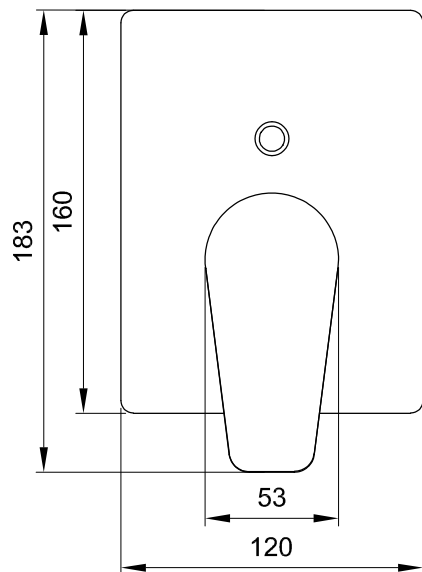
## CARACTERÍSTICAS DO MODELO:

- MATERIAL: CORPO EM LATÃO E ESPELHO EM ABS COM ACABAMENTO CROMADO
- CARACTERÍSTICAS: CARTUCHO Ø 40mm COM DISCOS CERÂMICOS
- GARANTIA: 5 ANOS
- PESO: 1.0 KG

## PEÇA:

- DESCRIÇÃO: TORNEIRA DE ENCASTRAR PARA DUCHE
- SERIE: LOOP
- VERSÃO: MONOCOMANDO DE DUAS FUNÇÕES (4 VIAS) COM CX. ELECTRÓNICA
- REF: S50209469512601

## CROQUIS COM DIMENSÕES GERAIS E DE LIGAÇÃO:



## COMPONENTES INCLuíDOS:

- CAIXA EM ABS PARA ENCASTRE COM KIT DE FIXAÇÃO

## PRODUTOS ASSOCIADOS:

- CONSULTAR GAMA DE PRODUCTOS DE DUCHE À MEDIDA

# Sanitana

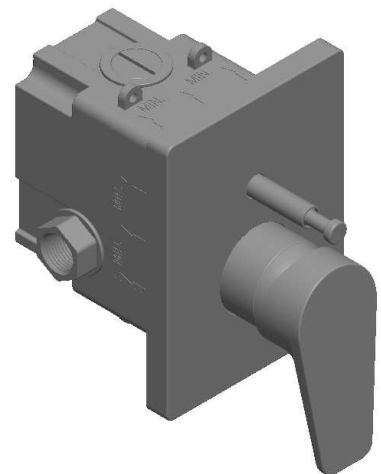
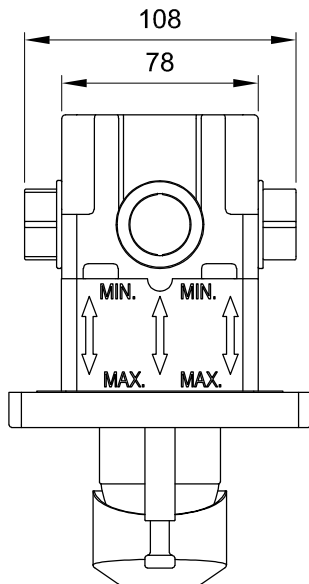
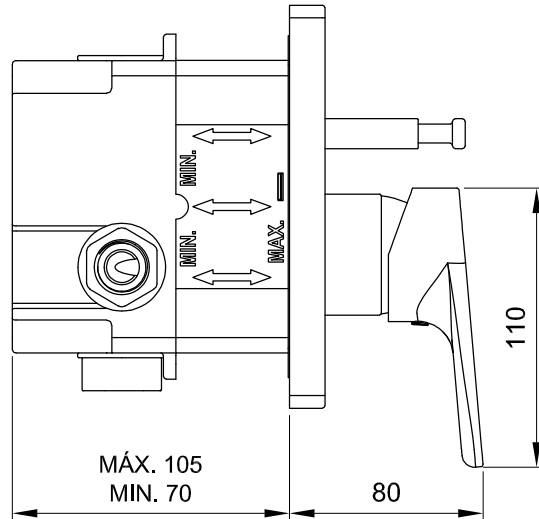
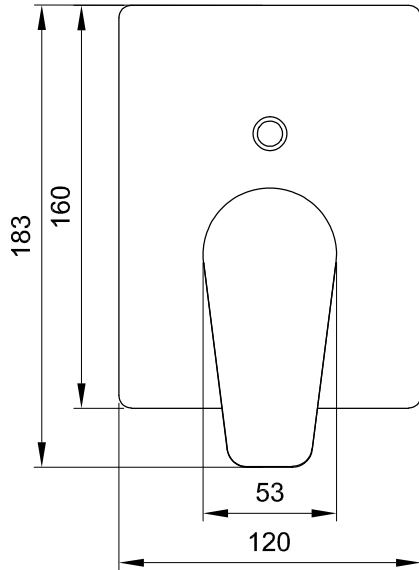
**FEATURES OF THE MODEL:**

- MATERIAL: BRASS BODY AND ABS MIRROR WITH CHROME FINISH
- FEATURES: CARTRIDGE INSIDE Ø 40mm WITH CERAMIC DISCS
- WARRANTY: 5 YEARS
- WEIGHT: 1.0 KG

**PART:**

- DESCRIPTION: BUILT-IN TAP FOR SHOWER
- SERIES: LOOP
- VERSION: SINGLE LEVER TWO FUNCTIONS (4 WAYS) WITH SMART BOX
- REF: S50209469512601

**SKETCH WITH DIMENSIONS AND CONNECTIONS:**



**INCLUDED COMPONENTS:**

- BOX IN ABS TO BUILT-IN WITH FIXING KIT

**RELATED PRODUCTS:**

- CONSULT RANGE OF CUSTOM SHOWER PRODUCTS

FORM Nº: SDRW-000040363-b

The products presented follow technical specifications by Sanitana SA. Dimensions provided are indicative only. For custom installation, should only be considered the dimensions measured directly on the part to be installed. We reserve the right to make technical changes to improve the functionality of our products without prior notice.